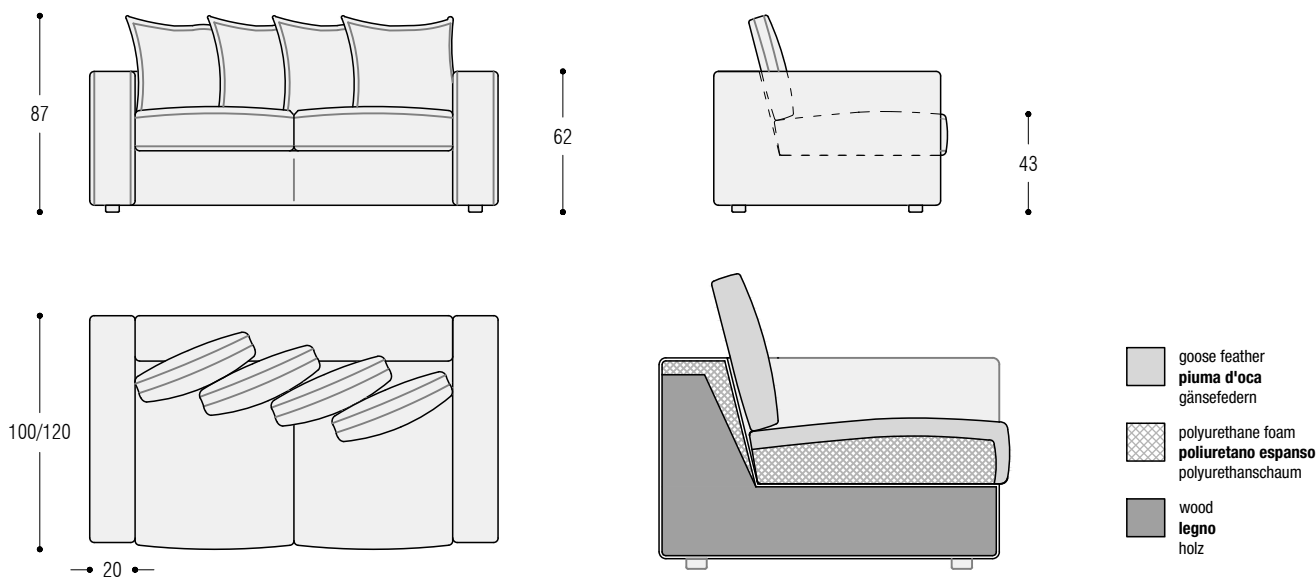


Madison 100 - 120



TECNICAL FEATURES

Structure: in solid fir wood, multi-ply wood and wood fiber, padded with polyurethane foam and covered with a white fabric joined with polyester fiber. Suspension with reinforced elastic belts.

Padding: seat cushions in nondeformable polyurethane foam of various densities, wrapped in sterilized goose feathers, divided into sections. On request, seat cushions in polyurethane foam and Dacron (same price). Back cushions in sterilized goose feathers, mixed with polyester fiber, divided into sections.

Feet: in black ABS with anti glide film.

Covers: completely removable with "Piping" decorative profile, for which is recommended the use of soft fabrics.

Important notes: the feet with anti glide film guarantee the stability of the elements and therefore no connecting hooks are provided. The padding in goose feathers gives to the sofa a vintage and informal look. The shapes of the cushions are therefore soft and irregular.

It is not recommended to use a vacuum cleaner on cushions with feather.

CARATTERISTICHE TECNICHE

Struttura: in legno di abete, multistrato e fibra, imbottito con poliuretano espanso e rivestito da una fodera in vellutino bianco accoppiato a fibra di poliestere. Molleggio a cinghie elastiche rinforzate.

Imbottiture: cuscini di seduta in poliuretano espanso indeformabile a densità differenziate, rivestiti in piuma d'oca sterilizzata, suddivisa in comparti. A richiesta, sedili in poliuretano e Dacron (prezzo invariato). Cuscini di schienale in piuma d'oca sterilizzata, miscelata a fibra di poliestere, suddivisa in comparti.

Piedini: in ABS nero con antiscivolo.

Rivestimento: completamente sfoderabile con profilo decorativo "Piping", per il quale si consiglia l'uso di tessuti morbidi.

Note importanti: i piedini con antiscivolo garantiscono la stabilità dei vari elementi e quindi non sono previsti ganci di giunzione. Le imbottiture in piuma conferiscono al divano un aspetto destrutturato e vissuto. Le forme dei cuscini risulteranno quindi morbide ed irregolari.

Si sconsiglia l'uso dell'aspirapolvere sui cuscini in piuma.

TECHNISCHE DATEN

Struktur: aus Tannenholz, Schichtholz und Faserplatte, gepolstert mit Polyurethanschaum und bezug mit weißem Samt und Polyesterfasern. Unterfederung aus verstärkten elastischen Gurten.

Polsterung: Sitzkissen aus formstabilem Polyurethanschaum verschiedener Härtegrade, komplettiert durch sterilisierten Gänsefedern, unterteilt in Kammern. Auf Anfrage, Sitzkissen aus Polyurethanschaum und Dacron (gleicher Preis). Rückenkissen aus sterilisierten Gänsefedern, gemischt mit Faserflocken, unterteilt in Kammern.

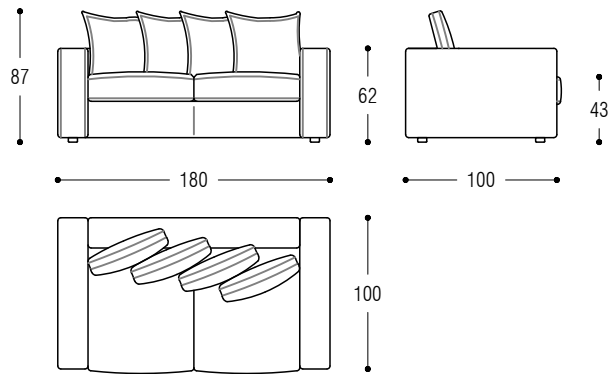
Füße: in schwarzem ABS mit rutschfester Film.

Bezug: komplett abziehbarer mit dekorative Profil „Piping“, für die Verwendung von weichen Stoffen empfohlen wird.

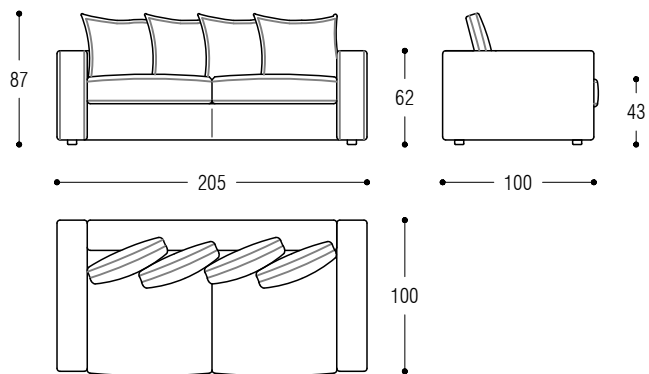
Wichtige Hinweise: Rutschfesten Füße garantieren die Stabilität der verschiedenen Elemente, sodass keine Verbindungsbügel nötig sind. Die Federnfüllung verleiht dem Sofa bewusst einen lässigen, altmodischen Eindruck. Die Formen der Kissen sind daher weich und unregelmäßig. Wir raten davon ab, einen Staubsauger für Kissen mit Federn zu verwenden.

Madison 100

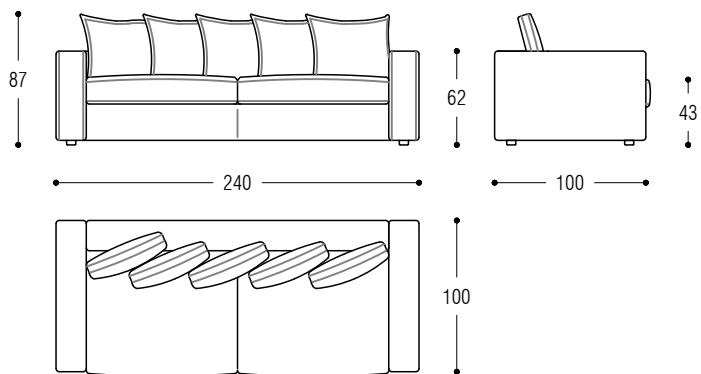
Sofa cm 180



Sofa cm 205

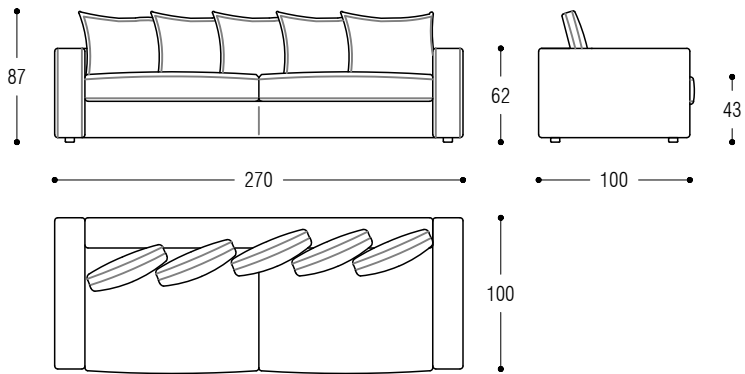


Sofa cm 240

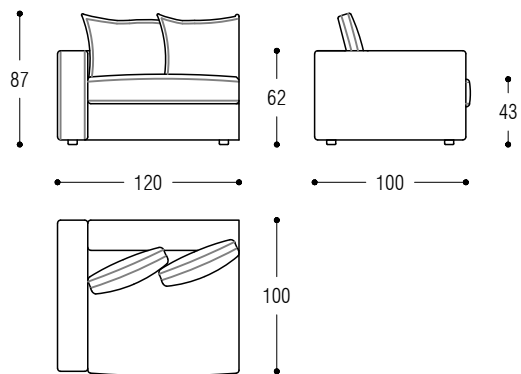


Madison 100

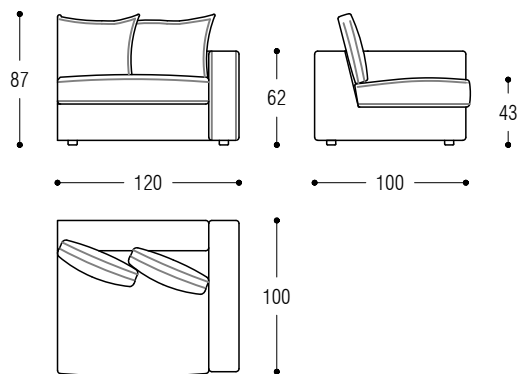
Sofa cm 270



Element cm 120 left

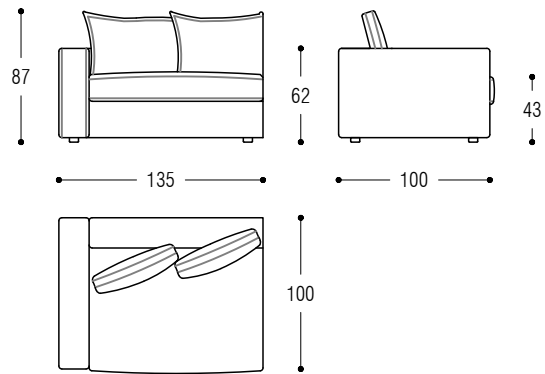


Element cm 120 right

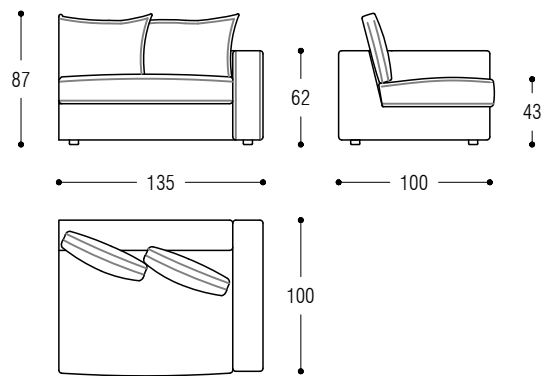


Madison 100

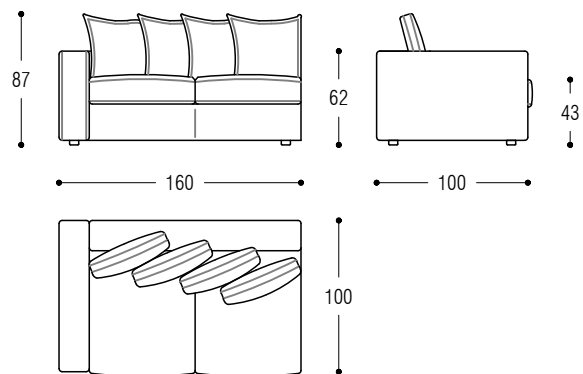
Element cm 135 left



Element cm 135 right

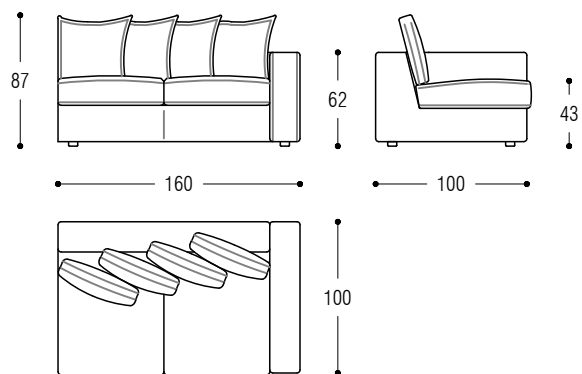


Element cm 160 left

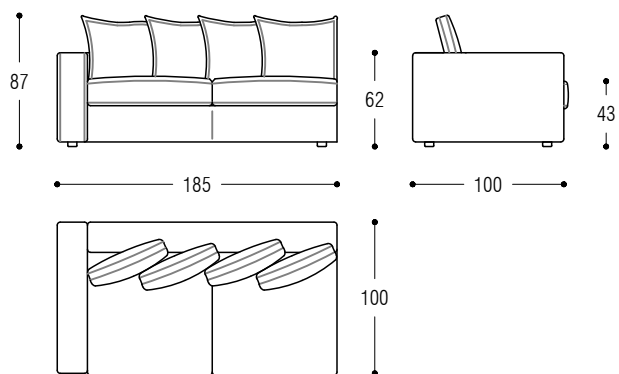


Madison 100

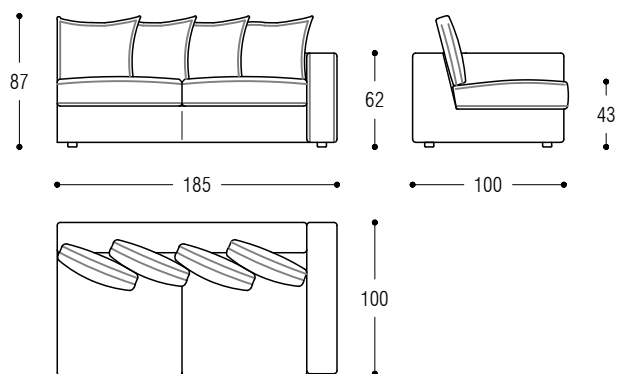
Element cm 160 right



Element cm 185 left

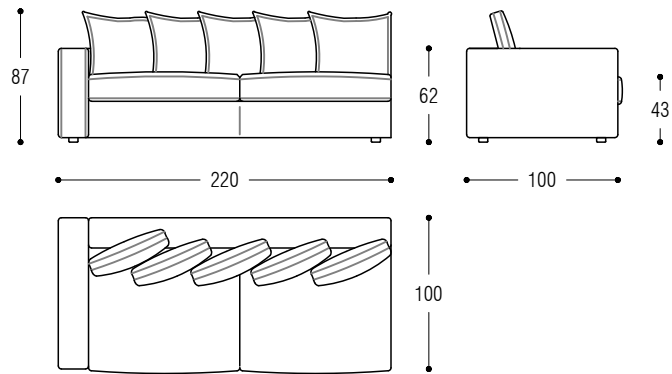


Element cm 185 right

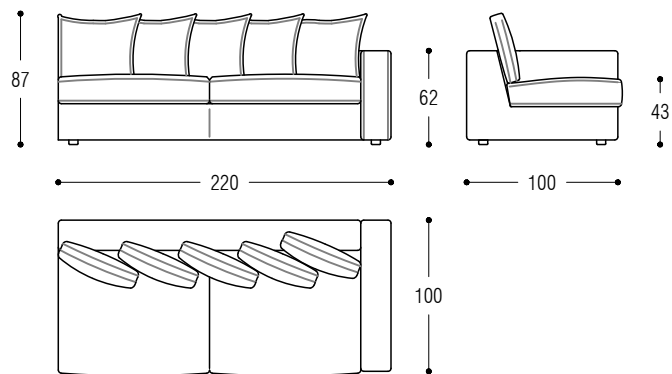


Madison 100

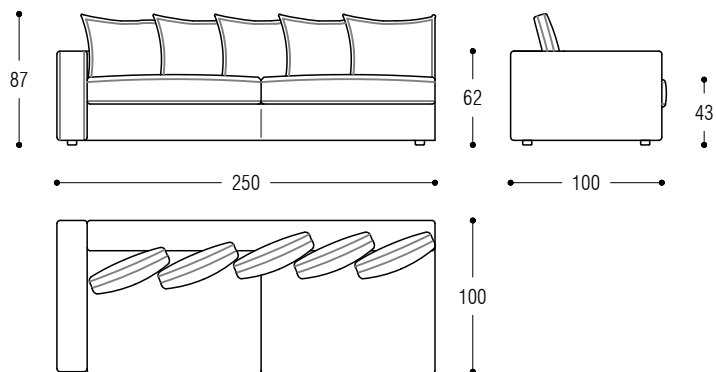
Element cm 220 left



Element cm 220 right

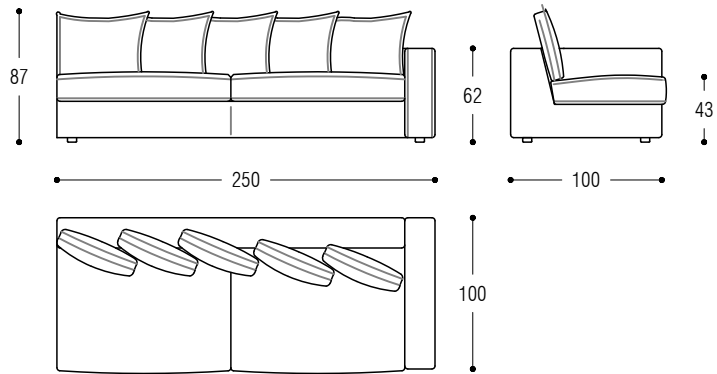


Element cm 250 left

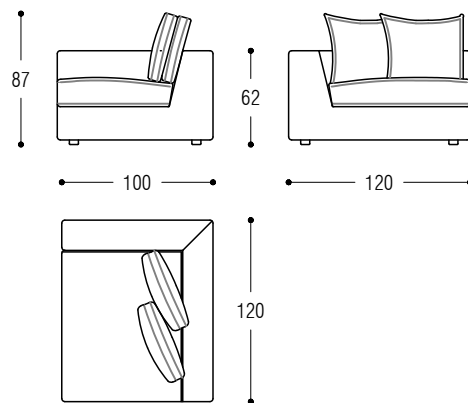


Madison 100

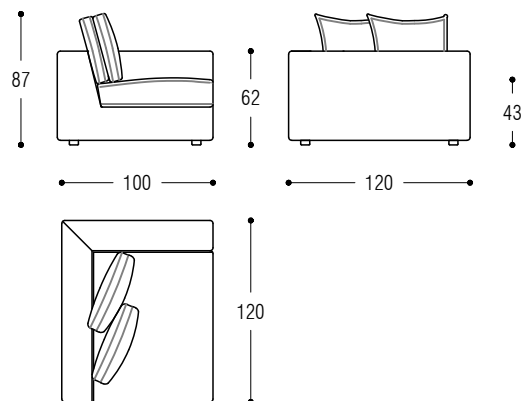
Element cm 250 right



Corner element cm 120x100 right with 2 back cushions

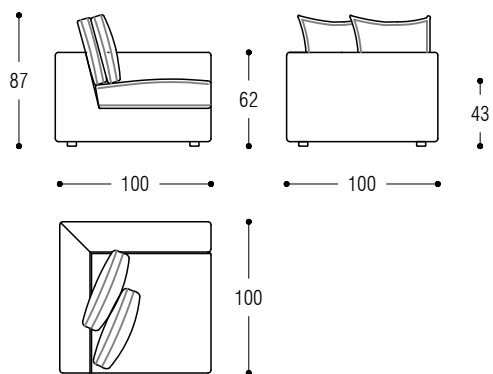


Corner element cm 120x100 left with 2 back cushions

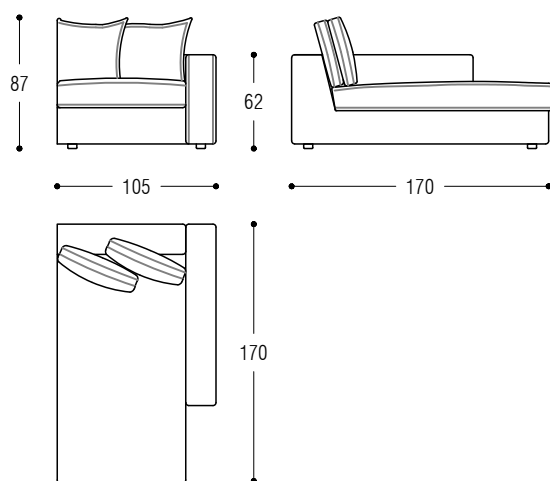


Madison 100

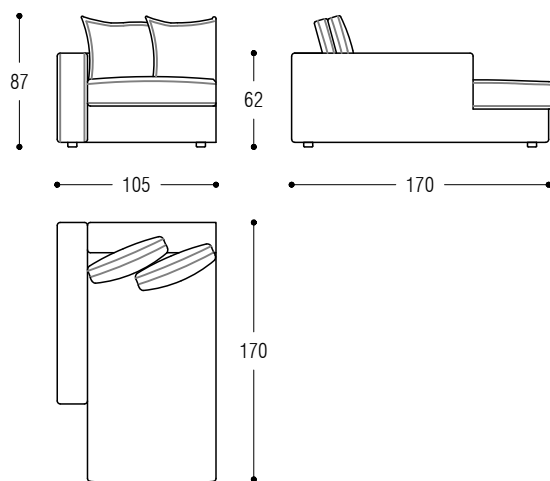
Corner element cm 100x100 with 2 back cushions



Chaise longue cm 170 left/right with 2 back cushions

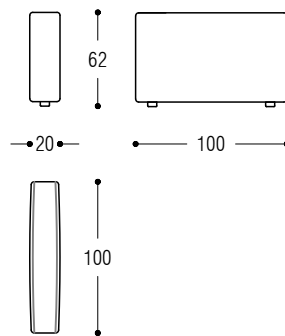


Chaise longue cm 170 left/right with 2 back cushions

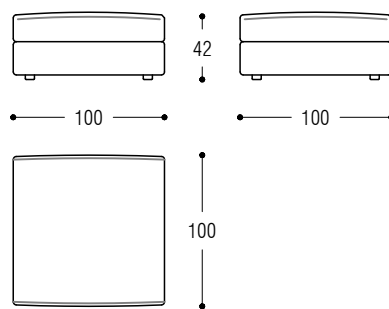


Madison 100

Armrest cm 100

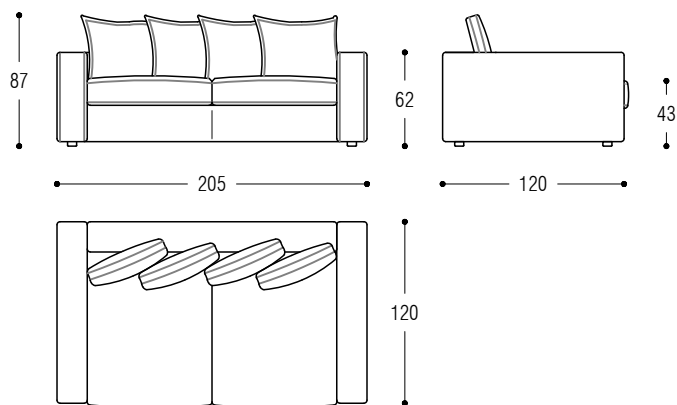


Stool cm 100x100

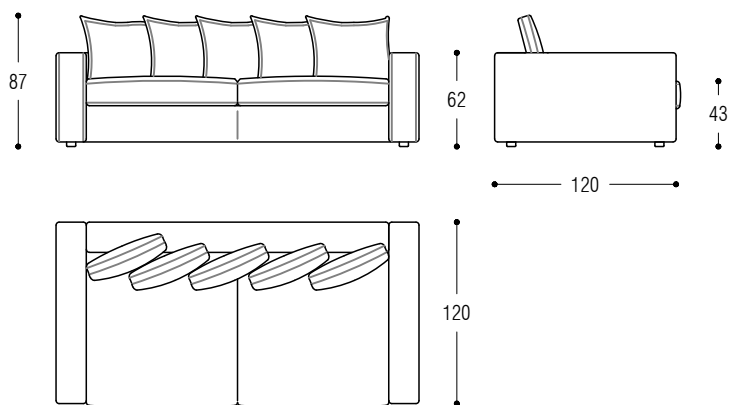


Madison 120

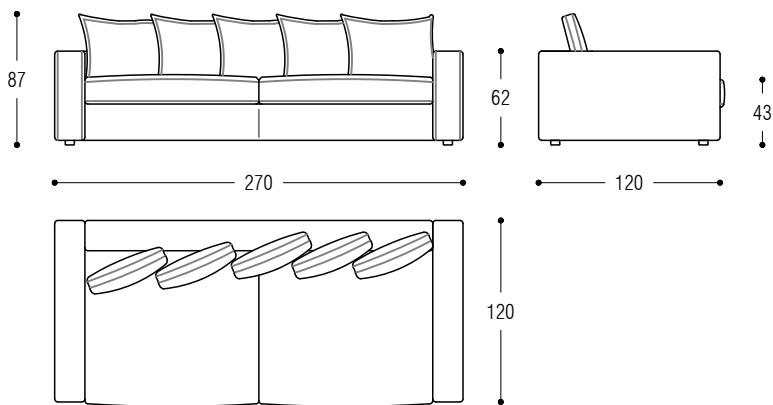
Sofa cm 205 with 4 back cushions



Sofa cm 240 with 5 back cushions

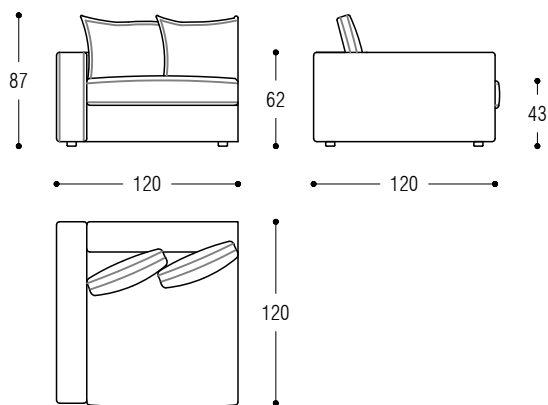


Sofa cm 270 with 5 back cushions

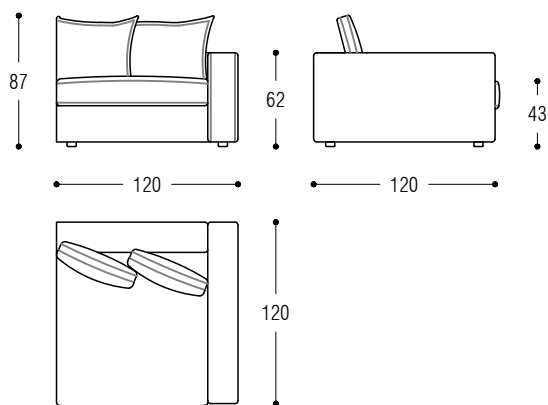


Madison 120

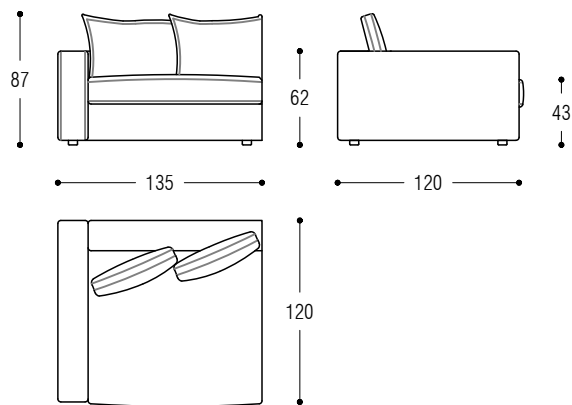
Element cm 120 left with 2 back cushions



Element cm 120 right with 2 back cushions

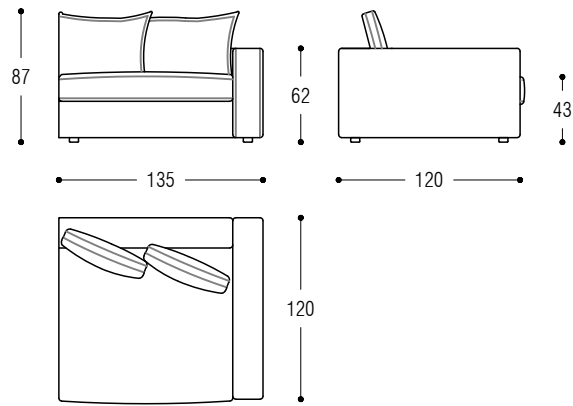


Element cm 135 left with 2 back cushions

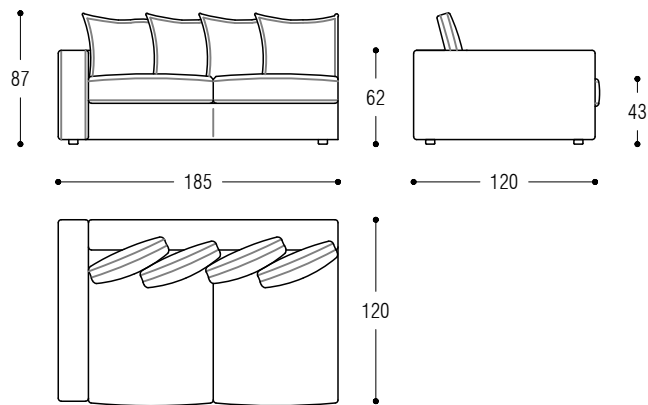


Madison 120

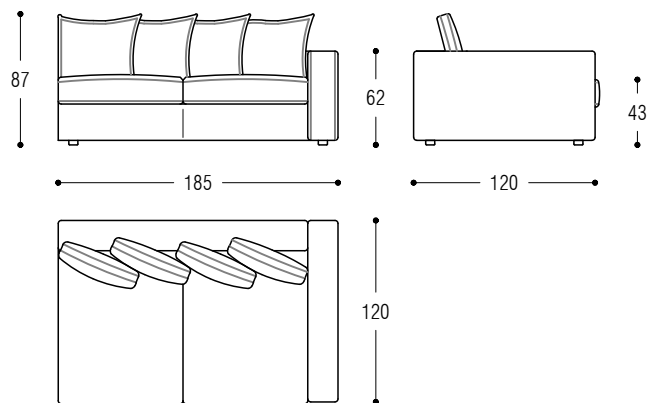
Element cm 135 right with 2 back cushions



Element cm 185 left with 4 back cushions

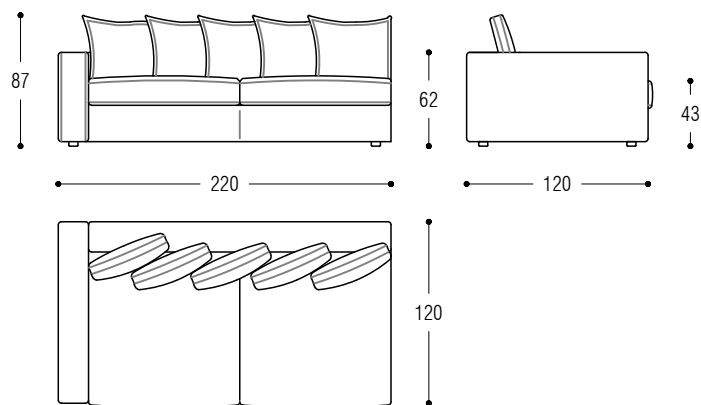


Element cm 185 right with 4 back cushions

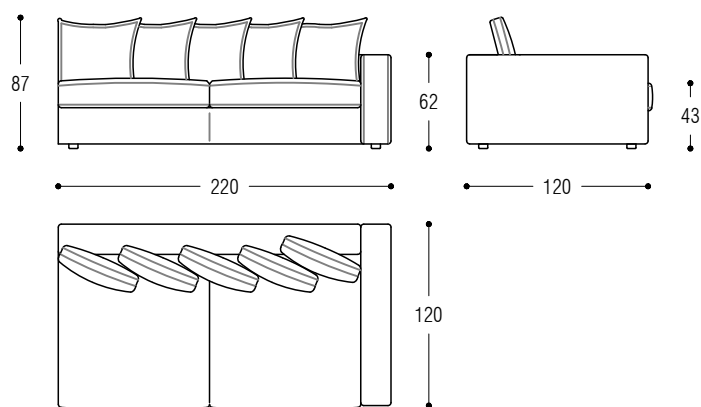


Madison 120

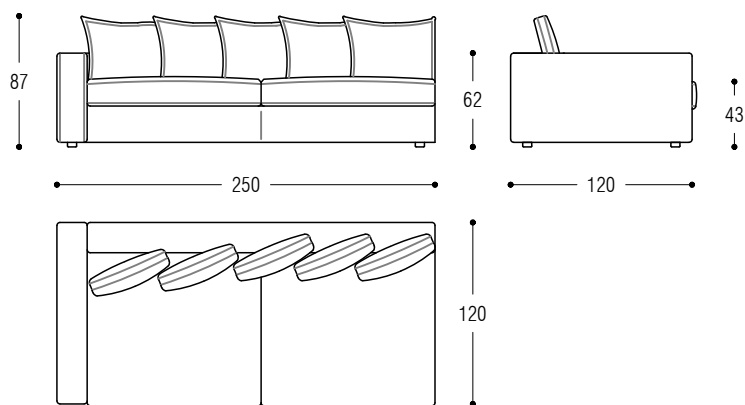
Element cm 220 left with 5 back cushions



Element cm 220 right with 5 back cushions

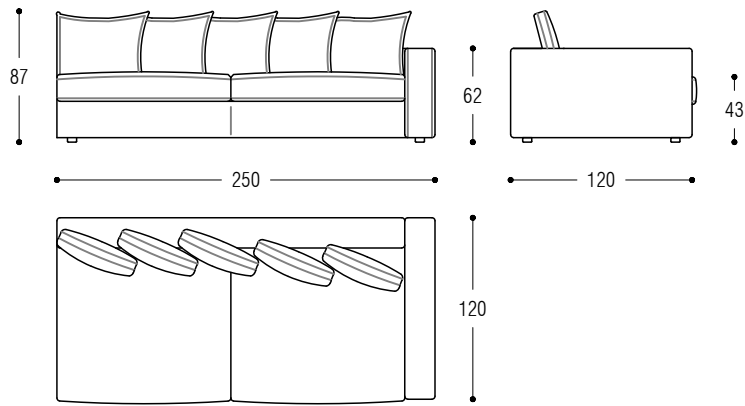


Element cm 250 left with 5 back cushions

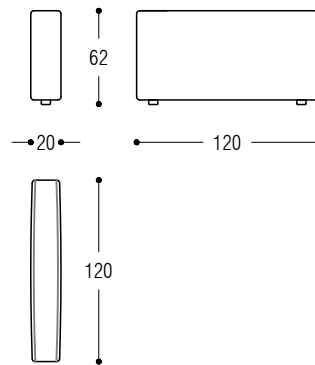


Madison 120

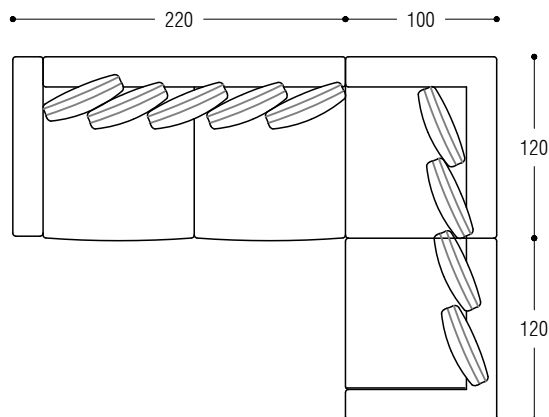
Element cm 250 right with 5 back cushions



Armrest cm 120



Left element cm 220x120 + right corner cm 100x120 + right element cm 120x100



Madison 120

2 poufs cm 100x100 + central element cm 115x100 + right element cm 250x100

